

DX-SERIES

B351PL

DESKTOP
MONOCHROME
PRINTER

ESSENTIAL SERIES DOCUMENT SYSTEMS



- ▶ Speeds of up to 35 pages per minute in black & white
- ▶ Versatile automatic two-sided function for duplex printing
- ▶ 1,200 x 1,200 dpi printing
- ▶ Easy-to-use two-line LCD operational display panel
- ▶ Compact design desktop ready
- ▶ Front facing bypass tray for easy printing of envelopes

SERVICING SOUTH FLORIDA FOR OVER 10 YEARS

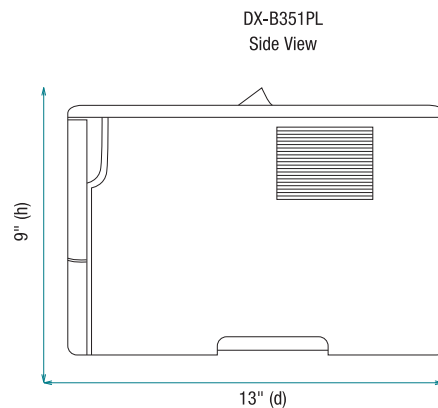
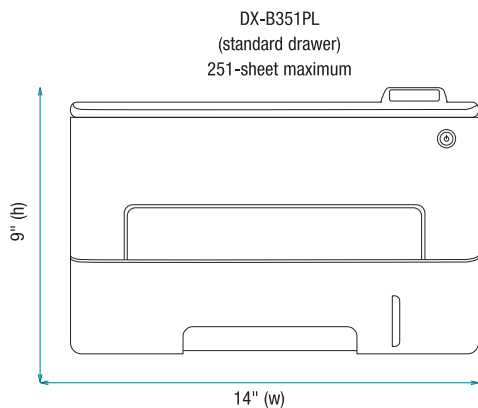
DX-B351PL SPECIFICATIONS

Main Specifications

Type	Desktop monochrome printer
Display	2-line LCD Panel
Print System	Dry electrostatic transfer/Mono component/OPC drum/roller fusing/white LSU exposure
Output Size	Min. 5½" x 8½", Max. 8½" x 14"
Print Speed	35 ppm
First Print Time (in seconds)*	8.2 seconds
Warm Up Time	20 seconds
Paper Capacity	Maximum 251 Sheets
Paper Feed System	Standard: (1) 250-sheet paper drawer (letter/statement /legal/executive size) system and bypass tray (letter/statement/legal/executive/envelope size).
Paper Weights and Types	Paper drawers: 16-28 lb. bond. Other paper types include plain, pre-printed, recycled, pre-punched, letterhead and color paper. Bypass tray: 16-19 lb. bond (thin paper), 16-28 lb. bond (plain paper), 28 lb. bond -74 lb. cover (heavy paper), Monarch/Com-10 envelope. Also, label paper, gloss paper, pre-printed paper, recycled, pre-punched, letterhead, color paper and OHP film.
Duplexing	Standard automatic duplex printing
CPU	350 MHz
Interface	RJ-45 Ethernet (10Base-T, 100Base-TX), USB 2.0 (1 device port, rear)
Printer Memory	256 MB
Firmware Management	Firmware can be updated by USB or wired network connection.
Device Setup	Web-based management/admin level login
Service/Functions	Remote access to toner level
Accessibility Features	Beep sound features on key entry, adjustment of key touch sound, screen timeout disable

Design and specifications subject to change without notice.

Product Configuration



Main Specifications (continued)

Environmental Standards	ENERGY STAR® Program Ver. 3.0
Power	AC 110 VAC, 60HZ, 9 A
Power	0.5 kW or less
Consumption	
Weight	Approx. 15 lbs.
Dimensions	Approx. 13.9" (w) x 13.1" (d) x 9.1" (h)
PDL	PCL5e, PCL6, PostScript compatible, PDF
Resolution	Max. 1,200 x 1,200 dpi
Print Drivers	Windows Server® 2003, Windows Server 2008, Windows Server 2012 x64, Windows XP, Windows Vista, Windows 7, Windows 8, Windows 8.1, Windows 10, MAC OS® (including 10.7 to 10.13)
Features	Duplex printing, driver delivery functions, toner save mode, power save mode, electronic sorting, N-up printing, image rotation, watermark
Resident Fonts	80 outline fonts (PCL), 136 fonts (PS)
Network Interface	RJ-45 Ethernet, 10 Base-T/100 Base-TX, USB 2.0
Operating Systems	Windows Server 2003, 2008 & 2012, Windows XP, Vista, 7, 8, 8.1, 10, Mac OS 10.7-10.13
Network Protocols	Ipv4/Ipv6, DHCP, DNS, RAW (Port9100), LPD / LPR, SNMP (v1), SMTP, HTTP/HTTPS (v1.1)
Printing Protocols	Raw TCP and LPD (port 9100), AirPrint, Wireless IPP (default)
Network Security	SSL/ TLS

Optional Equipment

DX-B35TB	Toner Cartridge
DX-B35DU	Drum

* May vary depending on product configuration, machine settings and operating and/or environmental conditions.



888.514.7788

info@completeoffice.co

